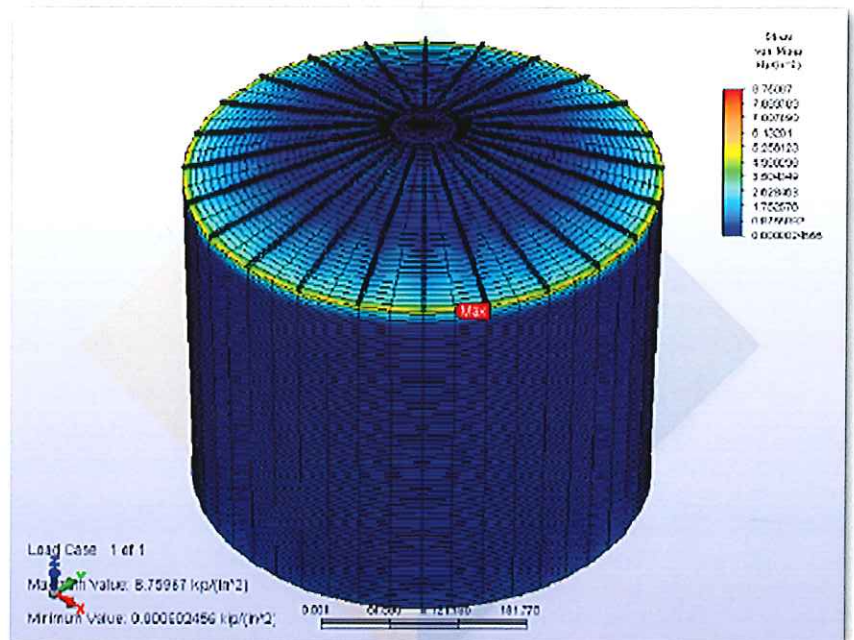


Cyntech Services has the engineering expertise to meet your design and construction needs. Our engineers use software programs such as AutoCAD and ALGOR for the design, construction, maintenance and repair of above ground storage tanks. This allows us to provide unique and innovative solutions to complete each project quickly and efficiently.

235061 Wrangler Link SE
Calgary, AB T1X 0K3

T: 403-228-1767
F: 403-245-6632
E: info@cyntech.com

www.cyntech.com





**235061 Wrangler Link SE
Calgary, AB T1X 0K3**

**T: 403-228-1767
F: 403-245-6632
E: info@cyntech.com**

www.cyntech.com

Cyntech Services will provide the right service for your project needs. Our services include:

- Tank Construction
- Tank Lifting
- Leveling
- Foundation Reconstruction
- Shell Repair & Replacement
- Floor Repair & Replacement
- Secondary Containment
- Piping Modifications, Fabrication & Installation

Our skilled personnel and specialized technology will ensure your project is completed safely and efficiently.

Cyntech is a leader in above ground steel storage tank maintenance and repair in Canada. With over 30 years of experience, our expertise includes Project Management, Engineering, Repairs, Upgrades and Boilers.